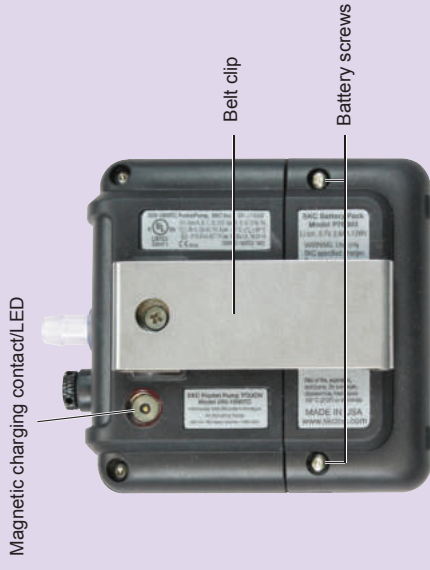


Identifying Pump Parts

Front View



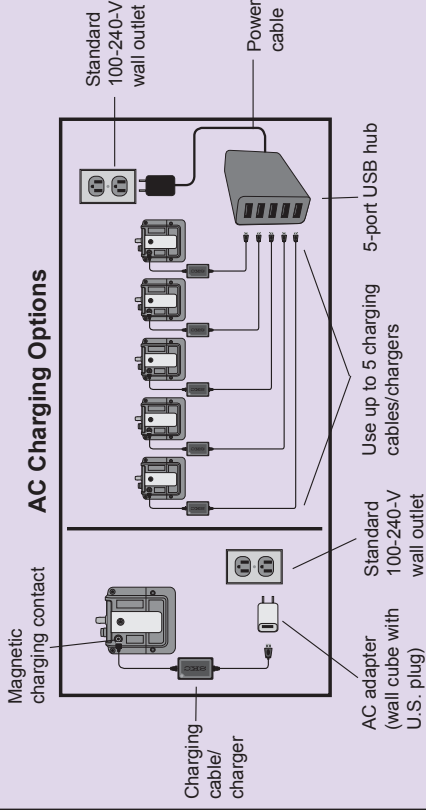
Back View



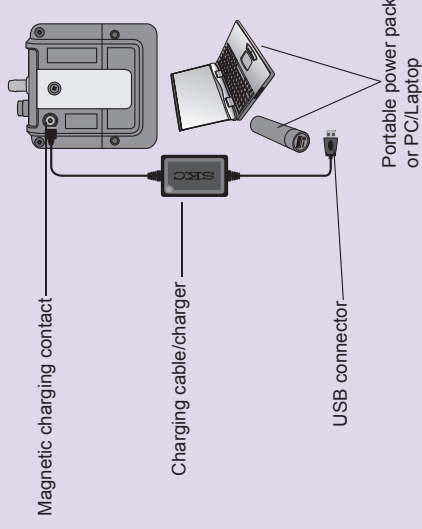
Charging the Battery



Completely charge battery pack before operating pump!
Battery recharge time: Approximately 10 hours (≤ 4.5 hours to 80%)



Portable Charging Options



Determining Charge Status

Observe status LEDs on pump - top corners/beneath inlet/behind charging contact.

Indicator	Charge Status
Charging contact LED blue/inlet and corner LEDs red, flashing in a repeated pattern of right-inlet-left	Charging
Charging contact LED blue/inlet LED green, solid/corner LEDs green, blinking, battery status icon outline flashing	Charging complete

Operating the Pump

Turning on: Press Power On/Off button on top of pump; the screen will light and the Flow screen will display.

Using the touch screen: Use a fingertip to gently touch screen buttons in the indicated active zones.



Accessing Main Menu: Touch

Navigating from Main Menu

Desired Operation	Button to Touch	Result
Access device settings		History, Clock, Units, and Screen sub-menus display. Touch buttons to view and choose setting options within each.
View information about the pump		Firmware version/date of pump manufacture and pump serial number display
Access flow rate, calibration, and sampling		Flow, Presets, and Advanced (constant pressure) sub-menus display. Touch buttons to view and choose mode or options under each.

Basic Pump Operation

Run pump: From Main Menu: Touch Sample > Flow > Run

Note: Pressing the Power On/Off button on top of pump will dim and lock screen. To undim and unlock, press Power On/Off button again.

Pause pump: Touch Pause . Touch Run to resume.

Stop pump: Touch Stop . Sample Summary will display. Touch to return to Main Menu.

Turning off: Press Power On/Off button on top of pump; the screen will go dark. The pump will power off automatically after five minutes of no activity.

Pocket Pump TOUCH



Start-up Guide

Congratulations on your purchase of the SKC Pocket Pump **TOUCH** Sample Pump — only from SKC.

To view complete pump operating instructions visit www.skcinc.com/instructions/40017.pdf

Ordering Accessories

Accessories	Cat. No.
Single Charger, USB, magnetic connector, and wall cube with U.S. plug	220-300
5-port USB Hub with power cable (U.S. plug), accommodates up to 5 single charging cables (Cat. No. P75739); order separately	220-400
Replacement Charging Cable, USB, supplied without wall cube	P75739
Replacement Battery Pack*, Li-Ion	P76303
Quick-connect Bag Sampling Adapter, installs on pump exhaust port for secure connection to tubing for bag sampling	220-200

* Li-Ion batteries are subject to special shipping regulations.

SKC Limited Warranty and Return Policy

SKC products are subject to the SKC Limited Warranty and Return Policy, which provides SKC's sole liability and the buyer's exclusive remedy. To view the complete SKC Limited Warranty and Return Policy, browse <http://www.skcinc.com/warranty>

Cautions

See Installation/Operating Caution Guide supplied with sample pump.

User may replace external components such as the inlet filter, battery pack, and/or belt clip. Service must be performed by SKC to maintain performance and IS rating. Warranty is void if pumping compartment is opened by user.

Registering Your Pump

Registration is easy and provides free technical support and the latest product information.

Browse www.skcinc.com/warranty

FREE Technical Support

Rely on the SKC Technical Support Team for the answers you need.

Email: skctech@skcinc.com

Online FAQs: www.skcinc.com/FAQ



Air Sampling Solutions & Expertise
www.skcinc.com